

Galaxy TVC 025 specification sheet

The GALAXY TVC 025 system is a thermal vacuum simulation chamber with a easy-access test chamber equipped with a thermal test table as well as a thermal shroud to optimize thermal performance.



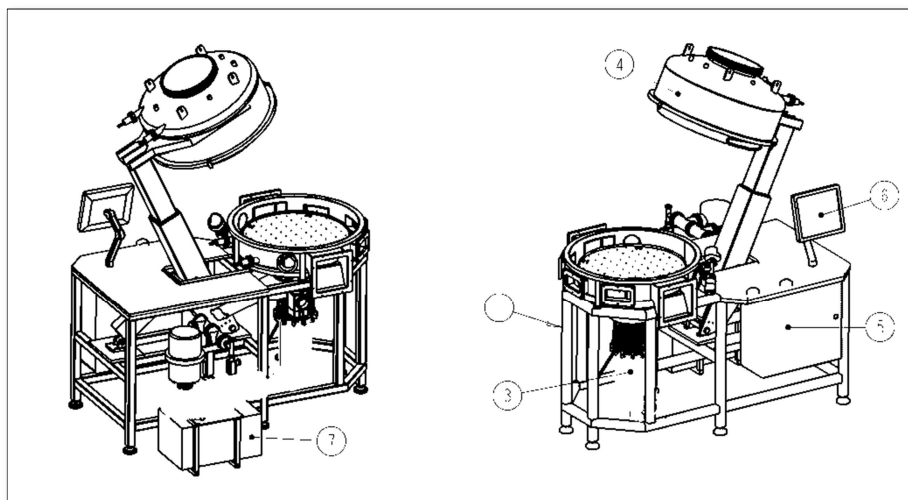
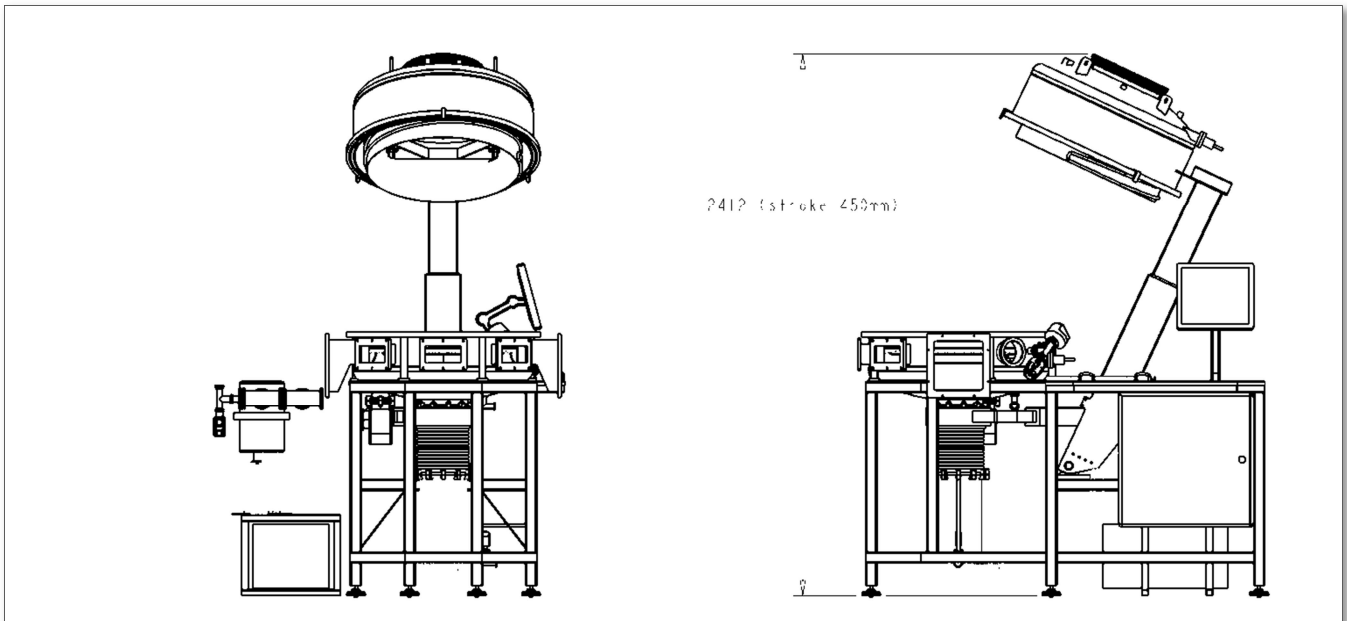
The unique clam-shell chamber design allows for easy access to the thermal test table making it easy for the test engineer to mount the test object and attached any diagnostic/control cabling that is required. The access ports can be customized to customer requirements.

Description	Data
Test chamber volume	From 0.1 m ³ up to 0.5 m ³
Base pressure	<1x10 ⁻⁶ torr
Thermal range (standard) ¹	223K to 400K
Thermal range (extended) ²	90K to 573K
Pump speed (H ₂ O)	>3800 l/s
Rough vacuum pump type	Roots pump package (250 m ³ /h)
High vacuum pump type	Cryogenic (turbo available as option)
Dimensions (L x W x H)	1817 mm x 1050 mm x 1651 (closed chamber)
Voltage	3φ 380-415V 50Hz or 3φ 190-230V 60Hz

¹ Other temperature ranges are available, this is a demonstration of standard capability.

² Require access to LN₂ supply.

Generic appearance/GUI

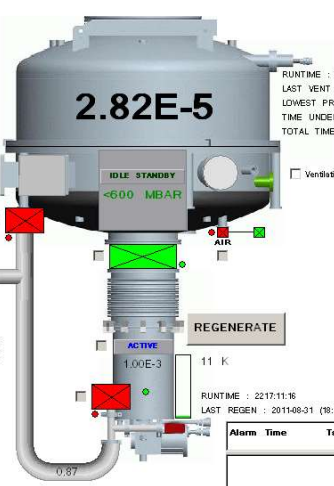


SYSTEM STATUS

CHAMBER : 0.0000280 MBAR
 CRYOVESSEL : 0.00100 MBAR
 FORELINE : 0.87285 MBAR

EMO CIRCUIT : ●
 BUS VOLTAGE : ●
 +24V FUSE : ●
 TILT FUSE : ●
 HOIST FUSE : ●

WRG CHAMBER : OPERATIONAL
 APG FORELINE : OPERATIONAL
 APG CRYO : OPERATIONAL



2.82E-5

<600 MBAR

ACTIVE 1.00E-3 11 K

REGENERATE

REGENERATE

RUNTIME : 2505:46:48
 LAST VENT : 2011-08-01 (11:48)
 LOWEST PRESSURE : 9.00E-8
 TIME UNDER VACUUM : 0:00:09:31
 TOTAL TIME : 93:00:55:39

Ventilation lock

Alarm Time Tag Description Alarm Label Ack Time

Alarm Time	Tag Description	Alarm Label	Ack Time

Ack Current
Ack All
Identify
Filter
Sort